

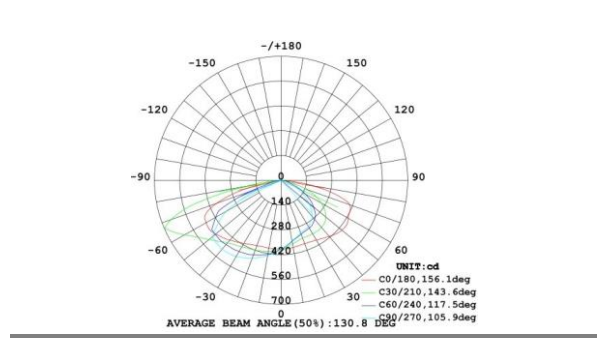
# Edge

## 20W LED Solar Street Light Specification

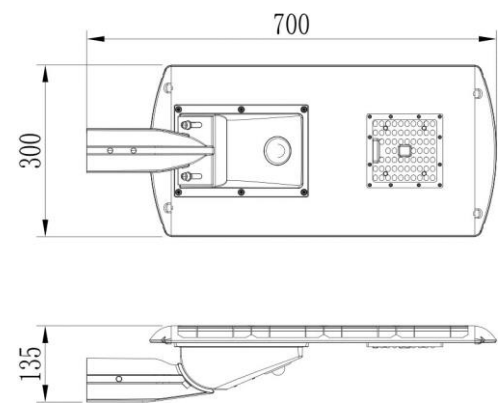


Parameters	Light Distribution
------------	--------------------

<b>Product Model</b>	YHL-ST11-20 (SL)
<b>LED Chip Brand</b>	Nichia
<b>Light Efficiency</b>	170 lm/W
<b>Luminous Flux</b>	3500 lm
<b>Color Temperature</b>	5000K ( 2700K/3000K/4000Koptional )
<b>Beam Angle</b>	100°×160°
<b>Total Power Consumption</b>	20W
<b>Outer Mounting Diameter in mm</b>	60mm
<b>Solar Panel Dimensions</b>	L520mm×W290mm
<b>Net Weight</b>	6.0Kg±0.5Kg
<b>Light Dimensions</b>	L700mm×W300mm×H135mm
<b>Light Package Dimensions</b>	L780mm×W380mm×H205mm



### Physical Dimensions



<b>25Wp</b>	<b>5 Years</b>	<b>7Ah</b>	<b>18.00%</b>	<b>≥75 Ra</b>	<b>IP65</b>
Solar Panel Power Consumption	Warranty ( 3 Years for Lithium Battery )	Lithium Battery Capacity	Solar Power Conversion Efficiency	CRI	IP Level

### Others

<b>Working Hours per Night</b>	<b>Working Temperature (Environment)</b>	<b>Lithium Battery</b>
4 hours/100%Luminance	0~+50℃	Lithium iron phosphate
<b>Working Hours per Night</b>	<b>Working Humidity (Environment)</b>	<b>Solar Panel</b>
8 hours/50%Luminance	15%~90%RH	Monocrystalline Silicon
<b>Working Mode</b>	<b>Storing Condition</b>	<b>LED Power Consumption</b>
PIR sensor&Lighting control	-20℃~+40℃	20W±1W

Suitable for Secondary road, Minor road, Factory, School, Garden, Residential areas, Urban, Square, Courtyard and other Outdoor Lighting Purposes