

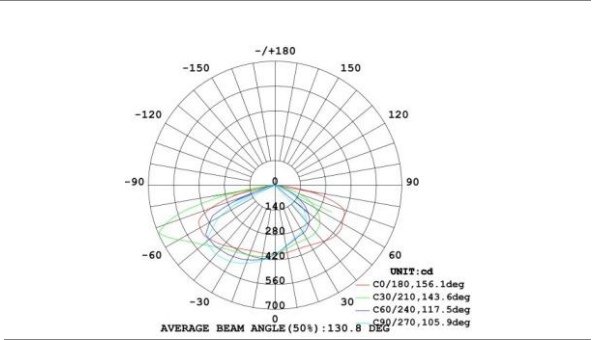
Edge



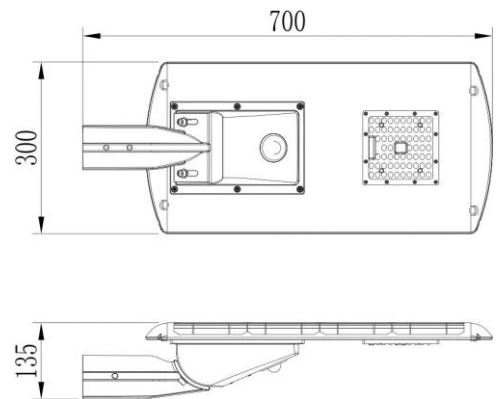
10W LED Solar Street Light Specification

Parameters Light Distribution

Product Model	LF-ST11-10 (SL)
LED Chip Brand	Nichia
Light Efficiency	170 lm/W
Luminous Flux	1700 lm
Color Temperature	5000K (2700K/3000K/4000K/5700Koptional)
Beam Angle	100°×160°
Total Power Consumption	10W
Outer Mounting Diameter in mm	60mm
Solar Panel Dimensions	L520mm×W290mm
Net Weight	6.0Kg±0.5Kg
Light Dimensions	L700mm×W300mm×H135mm
Light Package Dimensions	L780mm×W380mm×H205mm



Physical Dimensions



25Wp	5 Years	7Ah	18.00%	≥75 Ra	IP65
Solar Panel Power Consumption	Warranty (3 Years for Lithium Battery)	Lithium Battery Capacity	Solar Power Conversion Efficiency	CRI	IP Level

Others

Working Hours per Night	Working Temperature (Environment)	Lithium Battery
8 hours/100%Luminance	0~+50℃	Lithium iron phosphate
Working Hours per Night	Working Humidity (Environment)	Solar Panel
16 hours/50%Luminance	15%~90%RH	Monocrystalline Silicon
Working Mode	Storing Condition	LED Power Consumption
PIR sensor&Lighting control	-20℃~+40℃	10W±1W

Suitable for Secondary road, Minor road, Factory, School, Garden, Residential areas, Urban, Square, Courtyard and other Outdoor Lighting Purposes