



Tri

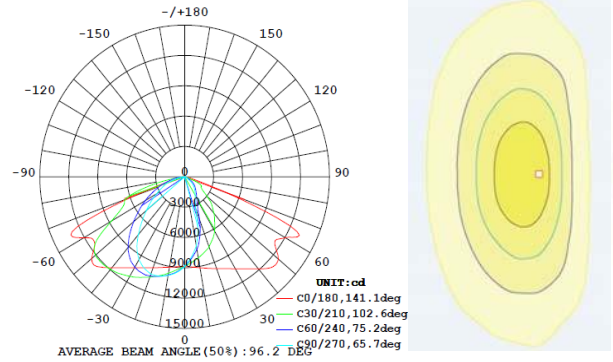
100W LED Street Light Specification



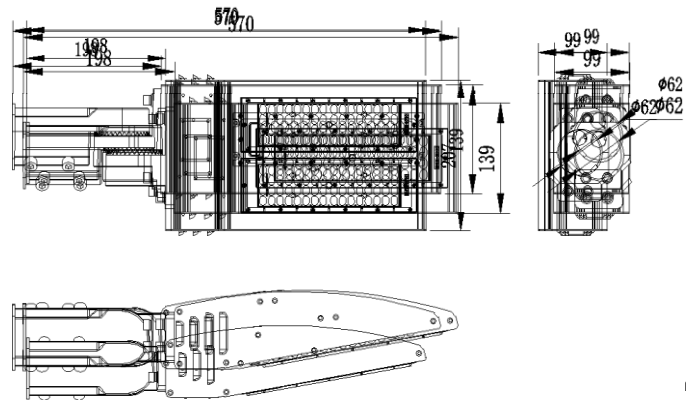
Parameters

Product Model	L-ST10-100
LED Chip Brand	NICHIA
Light Efficiency	140lm/W
Luminous Flux	14000lm
Color Temperature	4500 ~ 5500K(2500 ~ 5500K optional)
Beam Angle	65*140° (50*130° optional)
Total Power Consumption	100W±5W
Output Current	2.0A (Constant Current)
Output Voltage	DC 42 ~ 48V
Net Weight	5.8kg±0.3kg
Light Dimensions	L570mm×W207mm×H99mm
Light Package Dimensions	L642mm×W277mm×H177mm

Light Distribution



Physical Dimensions



≥0.95	75 Ra	IP65	≥100000 Hrs	AC 100-277V	47-63Hz
Power Factor	CRI	IP Level	Lifespan	Input Voltage	Power Frequency

Others

Power Efficiency	Working Temperature (Environment)	Heat Sink Surface Temperature
≥92%	-40°C ~ +50°C	53°C (Room Temperature 30°C)
Fixture Efficiency	Working Humidity (Environment)	Luminaire Base Temperature
≥90%	15% ~ 90%RH	63°C (Room Temperature 30°C)
Total Harmonic Distortion	Storing Condition	LED Power Consumption
≤15%	-40°C ~ +65°C	92W±5W

Suitable for Highway, Roadway, Streetscape, Walkway, Parking lot, Plant road and Other Lighting Purposes